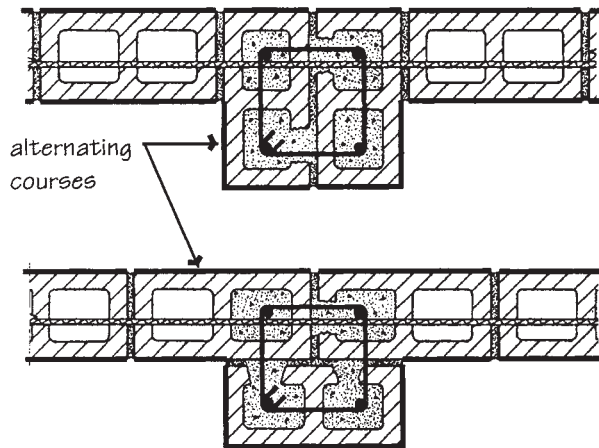
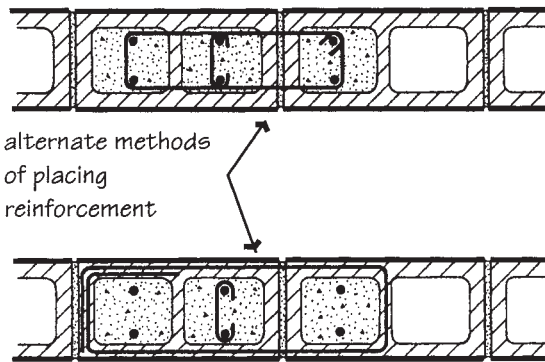


REINFORCED COLUMNS BUILT WITH PILASTER UNITS



REINFORCED COLUMNS BUILT WITH STANDARD STRETCHER UNITS



FLUSH WALL COLUMNS

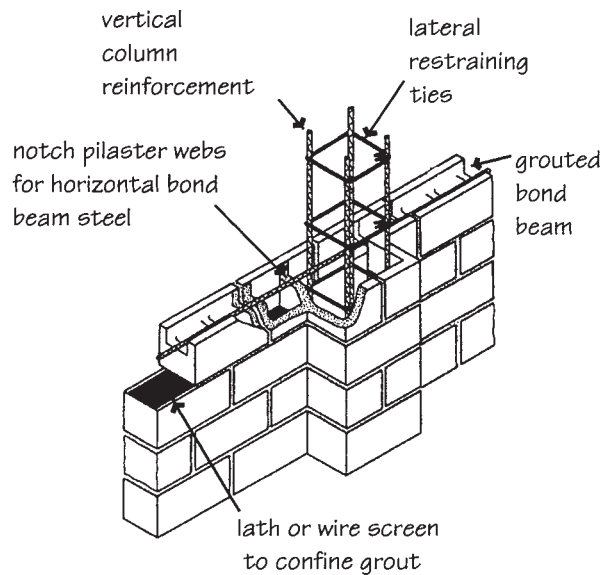
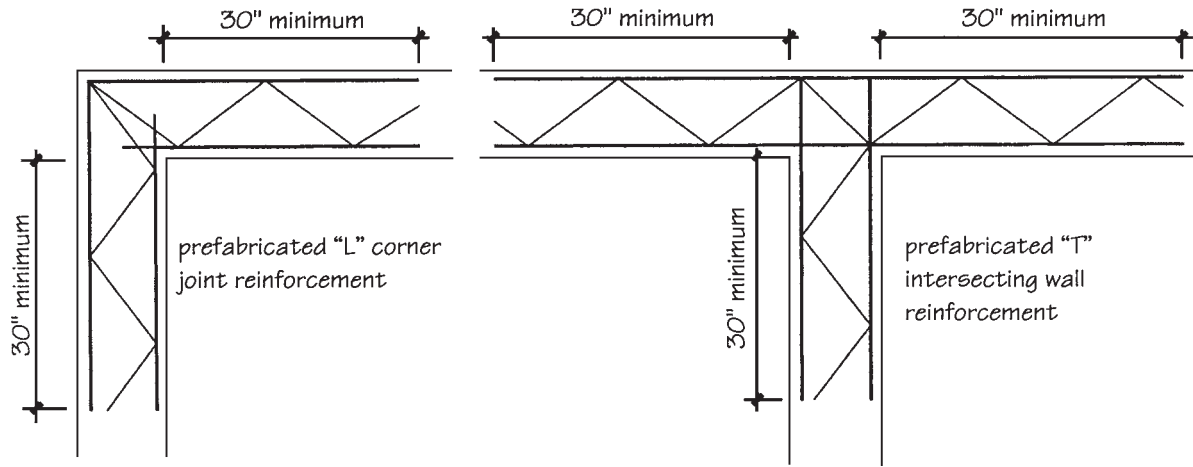
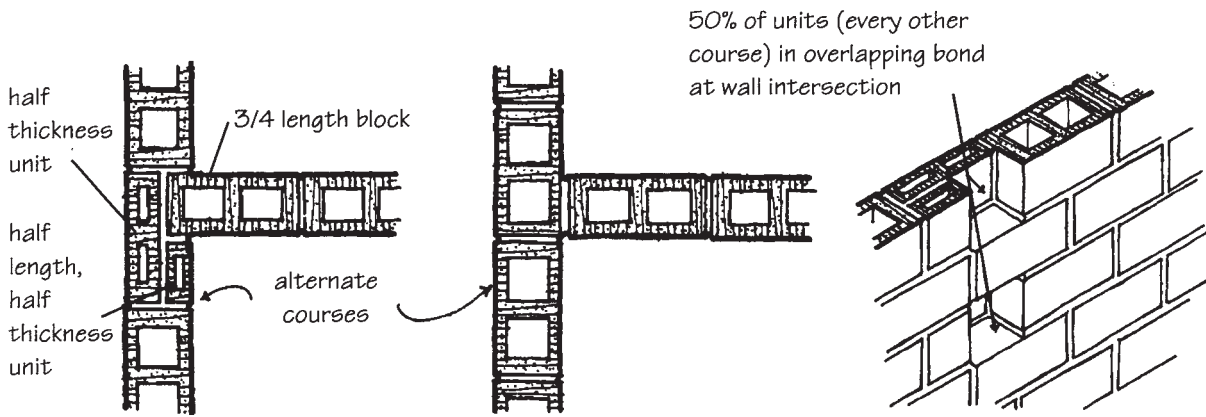


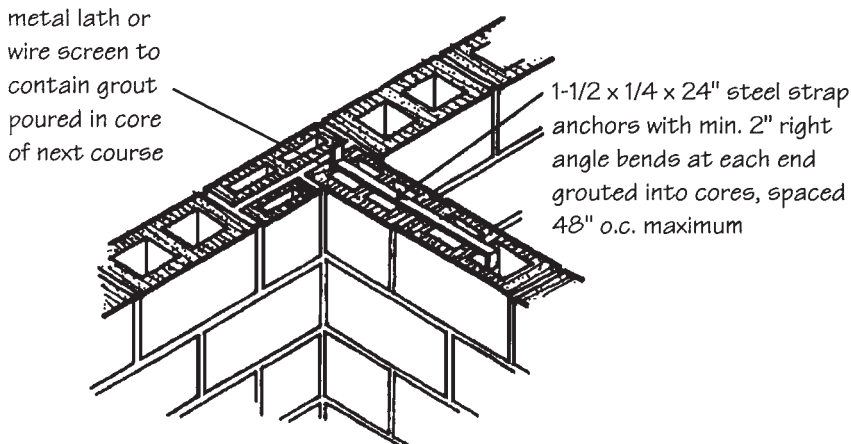
Figure 12-23 Reinforced masonry columns. (From Amrhein, Reinforced Masonry Engineering Handbook, 5th ed., Masonry Institute of America, Los Angeles, 1992.)



PREFABRICATED JOINT REINFORCEMENT AT CORNERS AND INTERSECTING WALLS



MASONRY UNIT BONDING



RIGID CONNECTION WITH STEEL STRAP ANCHORS

Figure 12-24 Lateral support connections at intersecting single-wythe masonry walls.